

**MAX-8**



Let's grow together. 

# MAX-8

Excellent Performances & Reliability

**CPD15/18/20FVD8**

Four-wheel Electric Forklift 1.5/1.8/2.0t

**CPD25/30/35FVD8**

Four-wheel Electric Forklift 2.5/3.0/3.5t

International Quality Components,  
Premium Configuration, Excellent Performance

**EP EQUIPMENT CO.,LTD**  
[www.ep-ep.com](http://www.ep-ep.com)

## Four-wheel electric forklift 1.5/1.8/2.0t CPD15/18/20FVD8

Distinguishing mark					
1.1	Manufacturer		EP	EP	EP
1.2	Model designation		CPD15FVD8	CPD18FVD8	CPD20FVD8
1.3	Drive unit		Electrics	Electrics	Electrics
1.4	Operator type		seated	seated	seated
1.5	rated capacity	Q t	1.5	1.8	2
1.6	Load center distance	c mm	500	500	500
1.8	Load distance, centre of drive axle to fork	x mm	397.5	397.5	397.5
1.9	Wheelbase	y mm	1335	1435	1435
Weight					
2.1	Service weight (include battery)	kg	3165	3440	3540
2.2	Axle loading, laden driving wheels /steering wheels	kg	4060/605	4625/615	4955/585
2.3	Axle loading, unladen driving wheels /steering wheels	kg	1570/1595	1720/1720	1720/1820
Types,Chassis					
3.1	Tyre type,driving wheels /steering wheels		solid rubber	solid rubber	solid rubber
3.2	Tyre size, driving wheels		18X7-8	18X7-8	200X50-10
3.3	Tyre size, steering wheels		16X6-8	16X6-8	16X6-8
3.5	Wheels, number driving/steering (x=drive wheels)	mm	2x/ 2	2x/ 2	2x/ 2
3.6	Tread, Driving wheels	b <sub>10</sub> mm	902	902	902
3.7	Tread, Steering wheels	b <sub>11</sub> mm	890	890	890
Dimensions					
4.1	Tilt of mast/fork carriage forward/backward	$\alpha/ \beta$ (°)	6/6.5	6/6.5	6/6.5
4.2	Height, mast lowered	h <sub>1</sub> mm	2060	2060	2060
4.3	Free lift (load backrest)	h <sub>2</sub> mm	120	120	120
4.4	Lift height	h <sub>3</sub> mm	3000	3000	3000
4.5	Height, mast extended	h <sub>4</sub> mm	4011	4011	4011
4.7	Height of overhead guard (cabin)	h <sub>6</sub> mm	2060	2060	2060
4.8	Seat height	h <sub>7</sub> mm	855	855	855
4.12	Tow center of pin height	h <sub>10</sub> mm	475	475	475
4.19	Overall length	l <sub>1</sub> mm	2922	3022	3172
4.20	Length to face of forks	l <sub>2</sub> mm	2002	2102	2102
4.21	Overall width	b / b <sub>2</sub> mm	1090	1090	1150
4.22	Fork dimensions	s/ e/ l mm	40×100×920	40×100×920	40×100×920
4.23	Fork carriage class/type A, B		2A	2A	2A
4.24	Fork carriage width	b <sub>3</sub> mm	1040	1040	1040
4.31	Ground clearance, laden, below mast	m <sub>1</sub> mm	108	108	108
4.32	The minimum ground clearance of frame	m <sub>2</sub> mm	78	78	78
4.34.1	Aisle width for pallets 1000 × 1200 crossways	Ast mm	3341	3436	3501
4.34.2	Aisle width for pallets 800 × 1200 lengthways	Ast mm	3467	3562	3562
4.35	Turning radius	Wa mm	1620	1715	1715
Performance data					
5.1	Travel speed, laden/ unladen	km/ h	13/ 14	13/ 14	13/ 14
5.2	Lifting speed, laden/ unladen	m/ s	0.29/ 0.43	0.27/ 0.43	0.26/ 0.43
5.3	Lowering speed, laden/ unladen	m/ s	0.44/ 0.435	0.44/ 0.435	0.44/ 0.435
5.5	Drawbar pull, laden/unladen	N	/	/	/
5.6	Max. drawbar pull, laden/unladen (time)	N	/	/	/
5.7	Gradeability, laden/unladen	%	10.5/ 14.5	10.5/ 14.5	10.5/ 14.5
5.8	Max. gradeability, laden/unladen	%	/	/	/
5.10	Service brake type		Hydraulic / Mechanical	Hydraulic / Mechanical	Hydraulic / Mechanical
	park brake type		Hydraulic / Mechanical	Hydraulic / Mechanical	Hydraulic / Mechanical
Electric-engine					
6.1	Drive motor rating S2 60 min	kW	4.8x2	4.8x2	4.8x2
6.2	Lift motor rating at S3 15%	kW	11	11	11
6.3	The maximum allowed size battery	mm	/	/	/
6.4	Battery voltage/nominal capacity K5		48/400(max500)	48/500(max600)	48/500(max600)
6.5	Battery weight	kg	708	856	1003
Addition data					
8.1	Type of drive unit		AC	AC	AC
10.5	Steering type		Hydraulic / Mechanical	Hydraulic / Mechanical	Hydraulic / Mechanical
10.7	Sound pressure level at the driver's ear	dB (A)	68	70	74

1.The parameters in the table are of the standard model. For more information, please contact us.

2.The parameters are subject to change without notice.

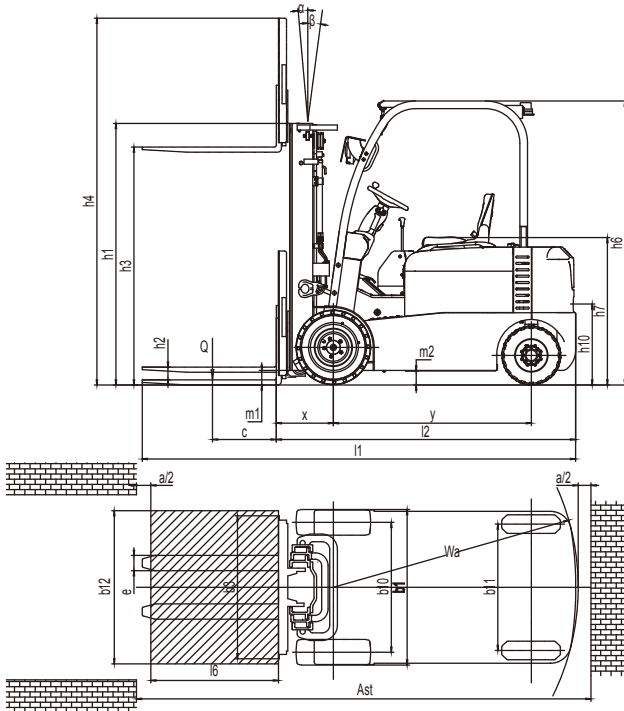
## Four-wheel electric forklift 2.5/3.0/3.5t CPD25/30/35FVD8

Distinguishing mark					
1.1	Manufacturer		EP	EP	EP
1.2	Model designation		CPD25FVD8	CPD30FVD8	CPD35FVD8
1.3	Drive unit		Electrics	Electrics	Electrics
1.4	Operator type		seated	seated	seated
1.5	rated capacity	Q t	2.5	3	3.5
1.6	Load center distance	c mm	500	500	500
1.8	Load distance, centre of drive axle to fork	x mm	425	425	425
1.9	Wheelbase	y mm	1550	1550	1550
Weight					
2.1	Service weight (include battery)	kg	4450	4825	5035
2.2	Axle loading, laden driving wheels /steering wheels	kg	6290/660	7045/780	7720/815
2.3	Axle loading, unladen driving wheels /steering	kg	2180/2270	2290/2535	2445/2590
Types,Chassis					
3.1	Tyre type,driving wheels /steering wheels		solid rubber	solid rubber	solid rubber
3.2	Tyre size, driving wheels		21X8-9	23X9-10	23X10-12
3.3	Tyre size, steering wheels		18X7-8	18X7-8	18X7-8
3.5	Wheels, number driving/steering (x=drive wheels)	mm	2X/2	2X/2	2X/2
3.6	Tread, Driving wheels	b <sub>10</sub> mm	1017	1056	1075
3.7	Tread, Steering wheels	b <sub>11</sub> mm	990	990	990
Dimensions					
4.1	Tilt of mast/fork carriage forward/backward	$\alpha / \beta (^{\circ})$	5/ 7.5	5/ 7.5	5/ 7.5
4.2	Height, mast lowered	h <sub>1</sub> mm	2195	2225	2225
4.3	Free lift (load backrest)	h <sub>2</sub> mm	100	100	100
4.4	Lift height	h <sub>3</sub> mm	3000	3000	3000
4.5	Height, mast extended	h <sub>4</sub> mm	4010	4010	4010
4.7	Height of overhead guard (cabin)	h <sub>6</sub> mm	2195	2225	2225
4.8	Seat height	h <sub>7</sub> mm	1050	1150	1150
4.12	Tow center of pin height	h <sub>10</sub> mm	630	630	630
4.19	Overall length	l <sub>1</sub> mm	3405	3405	3405
4.20	Length to face of forks	l <sub>2</sub> mm	2335	2335	2335
4.21	Overall width	b <sub>1</sub> / b <sub>2</sub> mm	1220	1256	1275
4.22	Fork dimensions	s/ e/ l mm	40X120X1070	45X120X1070	45X120X1070
4.23	Fork carriage class/type A, B		2A	3A	3A
4.24	Fork carriage width	b <sub>3</sub> mm	1120	1120	1120
4.31	Ground clearance, laden, below mast	m <sub>1</sub> mm	110	110	110
4.32	The minimum ground clearance of frame	m <sub>2</sub> mm	110	110	110
4.34.1	Aisle width for pallets 1000 × 1200 crossways	Ast mm	3670	3670	3670
4.34.2	Aisle width for pallets 800 × 1200 lengthways	Ast mm	3800	3800	3800
4.35	Turning radius	Wa mm	1920	1920	1920
Performance data					
5.1	Travel speed, laden/ unladen	km/ h	14/14.5	14/14.5	14/14.5
5.2	Lifting speed, laden/ unladen	m/ s	0.25/0.35	0.25/0.35	0.25/0.35
5.3	Lowering speed, laden/ unladen	m/ s	0.44/ 0.435	0.44/ 0.435	0.44/ 0.435
5.5	Drawbar pull, laden/unladen	N	—	—	—
5.6	Max. drawbar pull, laden/unladen (time)	N	13500	13500	13500
5.7	Gradeability, laden/unladen	%	—	—	—
5.8	Max. gradeability, laden/unladen	%	10.5/14.5	10.5/14.5	10.5/14.5
5.10	Service brake type		Hydraulic / Mechanical	Hydraulic / Mechanical	Hydraulic / Mechanical
	park brake type		Hydraulic	Hydraulic	Hydraulic
Electric-engine					
6.1	Drive motor rating S2 60 min	kW	2X6	2X10	2X10
6.2	Lift motor rating at S3 15%	kW	8.6	10	10
6.3	The maximum allowed size battery	mm	—	—	—
6.4	Battery voltage/nominal capacity K5		48/700(max1000)	80/500(max550)	80/500(max550)
6.5	Battery weight	kg	1160	1358	1358
Addition data					
8.1	Type of drive unit		AC	AC	AC
10.5	Steering type		—	—	—
10.7	Sound pressure level at the driver's ear	dB (A)	70	70	70

1.The parameters in the table are of the standard model. For more information, please contact us.

2.The parameters are subject to change without notice.

## Option



options	CPD15/18/20/25/30/35FVD8
Fork length	•
Folding fork	•
high capacity battery	•
Import battery	•
Rubber solid tyre	•
Green solid tire	•
Cold storage (Apply to -20 C)	•
Lateral battery change	•
Fork weighing system	•
Customerized Overhead height	•
Mast lifting height	•
Attachment	•
Integrated side shift	•
proportion valve	•
LED Front working light	•
Rear working light	•
Warning light	•
fire extinguisher	•
Auto-filling water system	•
Susepnson seat	•
Hearter	•
Front window with wiper	•
Rear window with wiper	•
Full cabin	•
OPS	•
Speical backrest	•
battery trolley for lateral battery extraction	•
FAN	•
Charger (220/380V)	•
Special modification for Drive-in Racking	•



# Mast Option

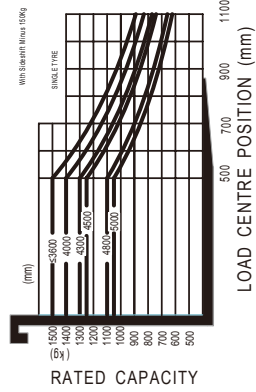
## 1.5 1.8 2.0t FVDB series Standard mast types

Type	Model	Max.fork height h3 mm	Overall height			Free lift		Front Overhang X			Tilt range		Capacity		
			Lowered h1 mm	Extended		Without backrest mm	With backrest h2 mm	1.5t	1.8t	2.0t	FWD α Deg	BWD β Deg	Load capacity at 500 mm		
				Without backrest mm	With backrest h4 mm								kg	kg	kg
Duplex ZT	2W200	2000	1490	3011	120	120	397.5	397.5	397.5	6	6.5	1500	1800	2000	
	2W250	2500	1740	2981	120	120	397.5	397.5	397.5	6	6.5	1500	1800	2000	
	2W270	2700	1840	3181	120	120	397.5	397.5	397.5	6	6.5	1500	1800	2000	
	2W300	3000	1990	3481	120	120	397.5	397.5	397.5	6	6.5	1500	1800	2000	
	2W330	3300	2140	3781	120	120	397.5	397.5	397.5	6	6.5	1500	1800	2000	
	2W350	3500	2240	3981	120	120	397.5	397.5	397.5	6	6.5	1500	1800	2000	
	2W360	3600	2290	4081	120	120	397.5	397.5	397.5	6	6.5	1500	1800	2000	
	2W400	4000	2540	4481	120	120	397.5	397.5	397.5	3	5	1400	1600	1800	
	2W425	4250	2665	4731	120	120	397.5	397.5	397.5	3	5	1300	1500	1700	
	2W450	4500	2790	4981	120	120	397.5	397.5	397.5	3	5	1250	1400	1600	
Duplex ZZ	2F250	2500	1773	2981	1292	762	397.5	397.5	397.5	6	6.5	1500	1800	2000	
	2F270	2700	1873	3181	1392	862	397.5	397.5	397.5	6	6.5	1500	1800	2000	
	2F300	3000	2023	3481	1542	1012	397.5	397.5	397.5	6	6.5	1500	1800	2000	
	2F330	3300	2173	3781	1692	1162	397.5	397.5	397.5	6	6.5	1500	1800	2000	
	2F360	3600	2323	4081	1842	1312	397.5	397.5	397.5	6	6.5	1500	1800	2000	
	2F400	4000	2523	4481	2042	1512	397.5	397.5	397.5	3	5	1400	1700	1900	
	3F435	4350	1993	4831	1512	982	397.5	397.5	397.5	3	5	1250	1450	1600	
	3F450	4500	2043	4981	1562	1032	397.5	397.5	397.5	3	5	1200	1350	1500	
	3F480	4800	2143	5281	1662	1132	397.5	397.5	397.5	3	5	1100	1250	1400	
	3F500	5000	2208	5481	1727	1197	397.5	397.5	397.5	3	5	1050	1150	1350	
Triplex DZ	3F550	5500	2378	5981	1897	1367	397.5	397.5	397.5	3	5	1100	1250	1350	
	3F600	6000	2593	6481	2112	1582	397.5	397.5	397.5	3	5	900	1150	1150	

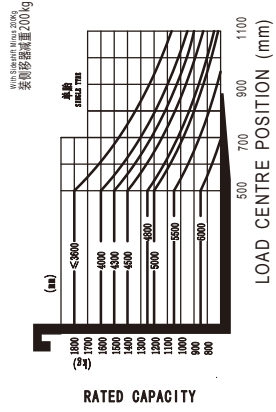
Note: With sideshifter minus 200kg, with integral sideshifter minus 100kg.

- The parameters in the table are of the standard model. For more information, please contact us.
- The parameters are subject to change without notice.

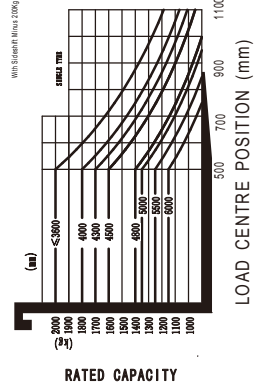
CPD13FVDB8 RATED CAPACITIES GRAPH



CPD18FVDB8 RATED CAPACITIES GRAPH



CPD20FVDB8 RATED CAPACITIES GRAPH



# MAX-8

# Mast Option

## CPD25FVD8 series standard mast types

Type	Model	Max.fork height		Overall height			Free lift		Front Overhang		Tilt range		Capacity	
		h3 mm	Lowered h1 mm	Extended		Without backrest mm	With backrest h2 mm	X mm	2.5t mm	FWD α Deg	FWD α Deg	Load capacity at 500 mm Single tire kg	Load capacity at 500 mm Single tire kg	
				Without backrest mm	With backrest h4 mm									
Duplex ZT	2W200	2000	1490	2685	3010	110	110	425	425	5	7.5	2500	2500	
	2W250	2500	1740	3185	3510	110	110	425	425	5	7.5	2500	2500	
	2W270	2700	1840	3385	3710	110	110	425	425	5	7.5	2500	2500	
	2W300	3000	1990	3685	4010	110	110	425	425	5	7.5	2500	2500	
	2W330	3300	2140	3985	4310	110	110	425	425	5	7.5	2500	2500	
	2W350	3500	2240	4185	4510	110	110	425	425	5	7.5	2500	2500	
	2W360	3600	2290	4285	4610	110	110	425	425	5	7.5	2500	2500	
	2W400	4000	2540	4685	5010	110	110	425	425	5	7.5	2300	2300	
	2W430	4300	2690	4985	5310	110	110	425	425	5	7.5	2100	2100	
	2W450	4500	2790	5185	5510	110	110	425	425	5	7.5	2000	2000	
Duplex ZZ	2F250	2500	1775	3205	3510	1035	730	425	425	5	7.5	2500	2500	
	2F270	2700	1875	3405	3710	1135	830	425	425	5	7.5	2500	2500	
	2F300	3000	2025	3705	4010	1285	980	425	425	5	7.5	2500	2500	
	2F330	3300	2175	4005	4310	1435	1130	425	425	5	7.5	2500	2500	
	2F360	3600	2325	4305	4610	1585	1280	425	425	5	7.5	2500	2500	
	2F400	4000	2575	4705	5010	1835	1530	425	425	5	7.5	2300	2300	
	3F430	4300	2025	5000	5310	1285	975	435	435	5	7.5	2000	2000	
	3F450	4500	2105	5200	5510	1365	1055	435	435	5	7.5	1900	1900	
	3F480	4800	2210	5500	5810	1470	1160	435	435	5	7.5	1700	1700	
	3F500	5000	2295	5700	6010	1555	1245	435	435	5	7.5	1600	1600	
Triplex DZ	3F550	5500	2545	6200	6510	1805	1495	435	435	5	7.5	1200	1200	
	3F600	6000	2795	6700	7010	2055	1745	435	435	5	7.5	800	800	

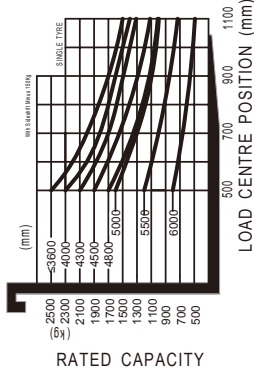
Note: With sideshifter minus 150kg, with integral sideshifter minus 100kg.

## CPD30-35FVD8 series standard mast types

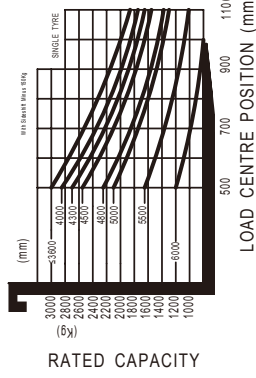
Type	Model	Max.fork height		Overall height			Free lift		Front Overhang X		Tilt range		Capacity	
		h3 mm	Lowered h1 mm	Extended		Without backrest mm	With backrest h2 mm	3.0t mm	3.5t mm	FWD α Deg	FWD α Deg	Load capacity at 500 mm Single tire kg	Load capacity at 500 mm Single tire kg	
				Without backrest mm	With backrest h4 mm									
Duplex ZT	2W200	2000	1490	2685	3010	110	110	425	425	5	7.5	3000	3500	
	2W250	2500	1740	3185	3510	110	110	425	425	5	7.5	3000	3500	
	2W270	2700	1840	3385	3710	110	110	425	425	5	7.5	3000	3500	
	2W300	3000	1990	3685	4010	110	110	425	425	5	7.5	3000	3500	
	2W330	3300	2140	3985	4310	110	110	425	425	5	7.5	3000	3500	
	2W350	3500	2240	4185	4510	110	110	425	425	5	7.5	3000	3500	
	2W360	3600	2290	4285	4610	110	110	425	425	5	7.5	3000	3500	
	2W400	4000	2540	4685	5010	110	110	425	425	5	7.5	2850	3250	
	2W430	4300	2690	4985	5310	110	110	425	425	5	7.5	2700	3000	
	2F250	2500	1775	3205	3510	1035	730	425	425	5	7.5	3000	3500	
Duplex ZZ	2F270	2700	1875	3405	3710	1135	830	425	425	5	7.5	3000	3500	
	2F300	3000	2025	3705	4010	1285	980	425	425	5	7.5	3000	3500	
	2F330	3300	2175	4005	4310	1435	1130	425	425	5	7.5	3000	3500	
	2F360	3600	2325	4305	4610	1585	1280	425	425	5	7.5	3000	3500	
	2F400	4000	2575	4705	5010	1835	1530	425	425	5	7.5	3000	3500	
	3F430	4300	2025	5000	5310	1285	975	435	435	5	7.5	2550	3250	
	3F450	4500	2105	5200	5510	1365	1055	435	435	5	7.5	2400	2850	
	3F480	4800	2210	5500	5810	1470	1160	435	435	5	7.5	2250	2500	
	3F500	5000	2295	5700	6010	1555	1245	435	435	5	7.5	2100	2300	
	Triplex DZ	3F550	5500	2545	6200	6510	1805	1495	435	435	5	7.5	1650	1750
3F600		6000	2795	6700	7010	2055	1745	435	435	5	7.5	1200	1250	

Note: With sideshifter minus 200kg, with integral sideshifter minus 150kg.

CPD25FVD8 RATED CAPACITIES GRAPH



CPD30FVD8 RATED CAPACITIES GRAPH



CPD35FVD8 RATED CAPACITIES GRAPH

