

推荐平地行驶

MAX-5



Let's grow together 

MAX-5

Fit Actual Needs and Costs Effectively

CPD15TVR5

Three-wheel Electric Forklift 1.5t

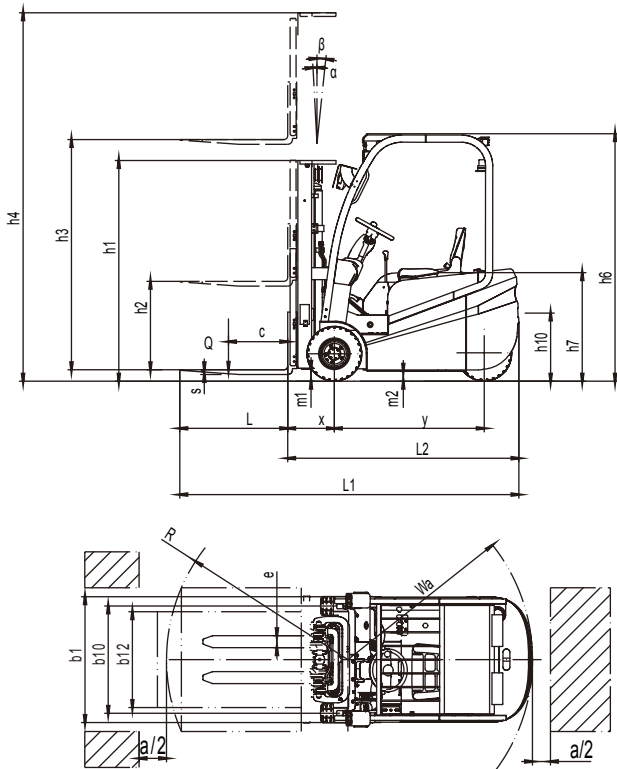
Minimum Requirements for Turning Radius
Ideal Choice for Operations in Flat & Narrow Space

EP EQUIPMENT CO.,LTD
www.ep-ep.com

Three-wheel electric forklift 1.5t CPD15TVR5

Distinguishing mark			
1.1	Manufacturer		EP
1.2	Model designation		CPD15TVR5
1.3	Drive unit		Electrics
1.4	Operator type		seated
1.5	rated capacity	Q	t
			1.5
1.6	Load center distance	c	mm
			500
1.8	Load distance, centre of drive axle to fork	x	mm
			390
1.9	Wheelbase	y	mm
			1250
Weight			
2.1	Service weight (include battery)		kg
			3240
2.2	Axle loading, laden driving wheels /steering wheels		kg
			4177/563
2.3	Axle loading, unladen driving wheels /steering wheels		kg
			1610/1630
Types,Chassis			
3.1	Tyre type,driving wheels /steering wheels		solid rubber
3.2	Tyre size, driving wheels		18X7-8
3.3	Tyre size, steering wheels		18X7-8
3.5	Wheels, number driving/steering (x=drive wheels)		mm
			2/1X
3.6	Tread, Driving wheels	b ₁₀	mm
			888
3.7	Tread, Steering wheels	b ₁₁	mm
			/
Dimensions			
4.1	Tilt of mast/fork carriage forward/backward	α / β (°)	
			3/6
4.2	Height, mast lowered	h ₁	mm
			2070
4.3	Free lift (load backrest)	h ₂	mm
			120
4.4	Lift height	h ₃	mm
			3000
4.5	Height, mast extended	h ₄	mm
			4011
4.7	Height of overhead guard (cabin)	h ₆	mm
			2070
4.8	Seat height	h ₇	mm
			960
4.12	Tow center of pin height	h ₁₀	mm
			570
4.19	Overall length	l ₁	mm
			2842
4.20	Length to face of forks	l ₂	mm
			1922
4.21	Overall width	b ₁ / b ₂	mm
			1090
4.22	Fork dimensions	s / e / l	mm
			40x100x920
4.23	Fork carriage class/type A, B		2A
4.24	Fork carriage width	b ₃	mm
			1040
4.31	Ground clearance, laden, below mast	m ₁	mm
			108
4.32	The minimum ground clearance of frame	m ₂	mm
			78
4.34.1	Aisle width for pallets 1000 × 1200 crossways	Ast	mm
			3255
4.34.2	Aisle width for pallets 800 × 1200 lengthways	Ast	mm
			3380
4.35	Turning radius	Wa	mm
			1540
Performance data			
5.1	Travel speed, laden/ unladen		km/ h
			12/12.5
5.2	Lifting speed, laden/ unladen		m/ s
			0.30/0.52
5.3	Lowering speed, laden/ unladen		m/ s
			0.59/0.52
5.5	Drawbar pull, laden/unladen		N
			/
5.6	Max. drawbar pull, laden/unladen (time)		N
			/
5.7	Gradeability, laden/unladen		%
			6.5/11
5.8	Max. gradeability, laden/unladen		%
			—
5.10	Service brake type		Hydraulic / Mechanical
	park brake type		Hydraulic / Mechanical
Electric-engine			
6.1	Drive motor rating S2 60 min		kW
			6.5
6.2	Lift motor rating at S3 15%		kW
			8.2
6.3	The maximum allowed size battery		mm
			—
6.4	Battery voltage/nominal capacity K5		
			48/400
6.5	Battery weight		kg
			667
Addition data			
8.1	Type of drive unit		AC
10.5	Steering type		Hydraulic / Mechanical
10.7	Sound pressure level at the driver's ear		dB (A)
			68

- 1.The parameters in the table are of the standard model. For more information, please contact us.
- 2.The parameters are subject to change without notice.



$Ast=Wa+R+a$

Option

options	CPD15TVR5
Fork length	•
Folding fork	•
Import battery	•
Green solid tire	•
Cold storage (Apply to -20°C)	•
Lateral battery change	•
Fork weighing system	•
Customized Overhead height	•
Mast lifting height	•
Attachment	•
Integrated side shift	•
LED Front working light	•
fire extinguisher	•
Auto-filling water system	•
Susepnsion seat	•
Dual Mirrors	•
OPS	•
Rear working light	•
Speical backrest	•
FAN	•
Charger (220/380V)	•
battery trolley for lateral battery extraction	•
Special modification for Drive-in Racking	•



Mast Option

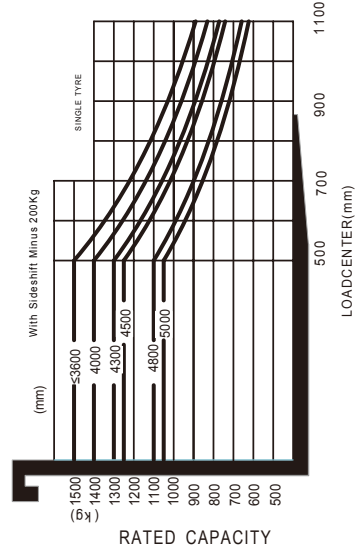
1.5t TVR5 series Standard mast types

Type	Model	Max.fork height h3		Lowered h1		Overall height		Free lift		Front Overhang X		Tilt range		Capacity		
		mm	mm	mm	mm	Without backrest	Extended With backrest h4	Without backrest	With backrest h2	1.5t	mm	Deg	FWD α	BWD β	Load capacity at 500 mm	Single tire
Duplex ZT	2W200	2000	1490	2481	3011	120	3011	120	120	390	3	3	6	6	1500	1500
	2W250	2500	1740	2981	3511	120	3511	120	120	390	3	3	6	6	1500	1500
	2W270	2700	1840	3181	3711	120	3711	120	120	390	3	3	6	6	1500	1500
	2W300	3000	1990	3481	4011	120	4011	120	120	390	3	3	6	6	1500	1500
	2W330	3300	2140	3811	4341	120	4341	120	120	390	3	3	6	6	1500	1500
	2W350	3500	2240	3981	4511	120	4511	120	120	390	3	3	6	6	1500	1500
	2W360	3600	2290	4081	4611	120	4611	120	120	390	3	3	6	6	1500	1500
	2W400	4000	2540	4481	5011	120	5011	120	120	390	3	3	5	5	1400	1400
	2W425	4250	2665	4731	5261	120	5261	120	120	390	3	3	5	5	1300	1300
	2W450	4500	2790	4981	5511	120	5511	120	120	390	3	3	5	5	1250	1250
Duplex ZZ	2F250	2500	1773	2981	3511	1292	3511	1292	762	390	3	3	6	6	1500	1500
	2F270	2700	1873	3181	3711	1392	3711	1392	862	390	3	3	6	6	1500	1500
	2F300	3000	2023	3481	4011	1542	4011	1542	1012	390	3	3	6	6	1500	1500
	2F330	3300	2173	3781	4311	1692	4311	1692	1162	390	3	3	6	6	1500	1500
	2F360	3600	2323	4081	4611	1842	4611	1842	1312	390	3	3	6	6	1500	1500
	2F400	4000	2523	4481	5011	2042	5011	2042	1512	390	3	3	5	5	1400	1400
	3F435	4350	1993	4831	5361	1512	5361	1512	982	390	3	3	5	5	1250	1250
	3F450	4500	2043	4981	5511	1562	5511	1562	1032	390	3	3	5	5	1200	1200
	3F480	4800	2143	5281	5811	1662	5811	1662	1132	390	3	3	5	5	1100	1100
	3F500	5000	2208	5481	6011	1727	6011	1727	1197	390	3	3	5	5	1050	1050
Triplex DZ	3F550	5500	2378	5981	6511	1897	6511	1897	1367	390	3	3	5	5	850	850

Note:With sideshifter minus 200Kg, with integral sideshifter minus 100Kg.

1. The parameters in the table are the standard model, for more information please contact us.
2. The parameters are subject to change without notice.

CPD15TVR5 RATED CAPACITIES GRAPH



MAX-5